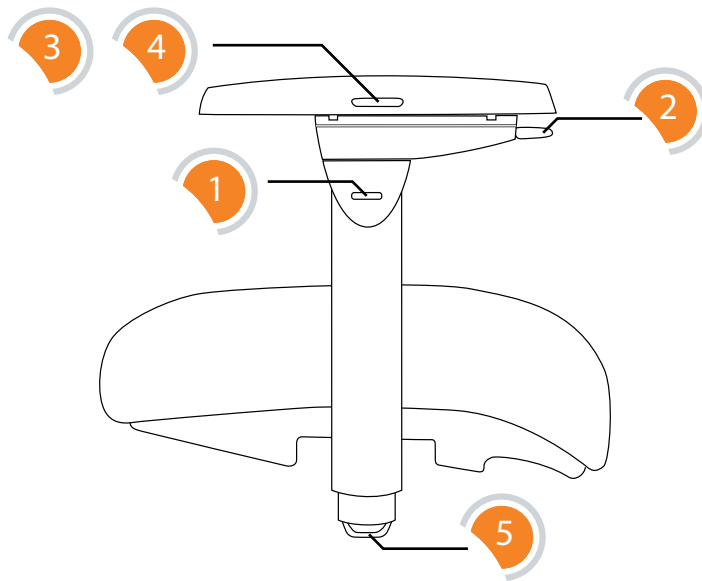


5-Way/360° Adjustable Arm



The new 5-way/360° Arm is standard on all NP Series chairs, and gives its user optimal positioning with five adjustments that can be easily made from your seated position. Combined with the flat surface of soft urethane pad, this is the most comfortable and functional armrest you've ever enjoyed.



Armrest Height

4" range – Squeeze button on outside of arm to release and position height. There are 10 positive-lock height settings.



Arm Angle/Rotation

24 angle settings/360° range – Squeeze the lever under the front edge of the pad upward to release and position arm pad in one of the positive-lock angles. Adjust pad to the angle most favorable to your task and need for arm support.



Arm Pad Movement

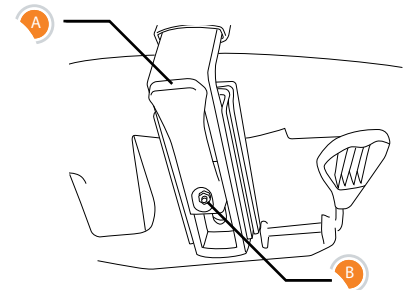


1" Width & 2" Fore/Aft – Squeeze the button on the edge of the pad to release and position the pad for both width and depth. Inward width brings pad closer to your torso. Depth creates a short end forward for closer access to the work surface, or a longer end forward for greater forearm support.



Arm Width

4" range – Locate the lever against the bottom of each arm post, and push it down to release and position desired arm width. To lock arm width, lift the lever again.



Armrest Width Tension

Release tension on arm width by lowering control lever (A). Be sure to remove the plastic ties that secure the arms during shipment.

Locate the 10 mm nut (B) on the underside of the arm support, and then, using 10 mm socket, tighten or loosen the nut approx. ¼ turn. Test the new tension by lifting and locking the lever to see if you need to adjust further.