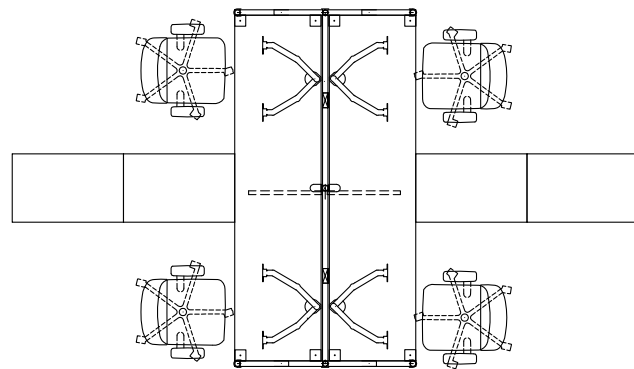




Footprint: 14' x 8'
Overview: Cushion Top Lateral Storage
Boost Monitor Arm
Icon



Item	Part Number	Part Description	Qty	List	Ext List
EQUITY					
1	EB1C20L	Cantilever, Left Hand, 20" <i>Black</i>	1	\$90.00	\$90.00
2	EB1C20R	Cantilever, Right Hand, 20" <i>Black</i>	1	\$90.00	\$90.00
3	EB1PWSP	Panel-to-Worksurface Bracket, Left & Right Pair <i>Black</i>	4	\$29.00	\$116.00
8	EP3FA4829K	Fabric Panel, with knockouts, 48Wx29H, Beveled Top 201 F3007 IC <i>PAINT: Cream</i> <i>FABRIC: Candid (GrA)</i> <i>PLEXI: Ice</i>	2	\$730.00	\$1,460.00
9	EP3P29E	Post Assembly, End 29H 201 <i>PAINT: Cream</i>	4	\$159.00	\$636.00
10	EP3P29S	Post Assembly, Straight, 29H 201 <i>PAINT: Cream</i>	1	\$148.00	\$148.00
11	EP3P29T	Post Assembly, 3-Way "T", 29H 201 <i>PAINT: Cream</i>	2	\$148.00	\$296.00
12	EP3OF2429N	Insert Panel, Open Frame, 24Wx29H, no knockouts, Beveled Top 201 <i>PAINT: Cream</i>	4	\$717.00	\$2,868.00
13	EW19624G2	Worksurface, Rectangular, EW1, 96Wx24D, Scallop (grommet 2) SW-MNM EB-MNM <i>LAMINATE: Mission Maple</i> <i>EDGE BANDS: Mission Maple</i>	2	\$685.00	\$1,370.00
				Sub-Total	\$7,074.00
STORAGE					
14	SCLAT130J	30W Box/File Lateral Cushion Top, J PULL HANDLE 201 CW <i>PAINT: Cream</i> <i>Counterweight</i>	4	\$1,374.00	\$5,496.00
				Sub-Total	\$5,496.00

Item	Part Number	Part Description	Qty	List	Ext List
ELECTRICAL					
4	EE1C48-8	Conduit Jumper, 8-Wire, 41-1/2L, E Series	1	\$141.00	\$141.00
5	EE1R1	Duplex Receptacle, Circuit #1, E Series	2	\$50.00	\$100.00
6	EE1R2	Duplex Receptacle, Circuit #2, E Series	2	\$50.00	\$100.00
7	EE1TB-8	Terminal Block, 8-Wire, E Series	2	\$56.00	\$112.00
				Sub-Total	\$453.00
WORKPLACE ACCESORIES					
15	KCG-110DS	Boost monitor dual arm, silver	4	\$917.00	\$3,668.00
				Sub-Total	\$3,668.00
SEATING					
16	ICON4653	Mesh Back, Medium Upholstered Seat, Knee-tilt mech, No Arms	4	\$787.00	\$3,148.00
				Sub-Total	\$3,148.00
				GRAND TOTAL	\$19,839.00