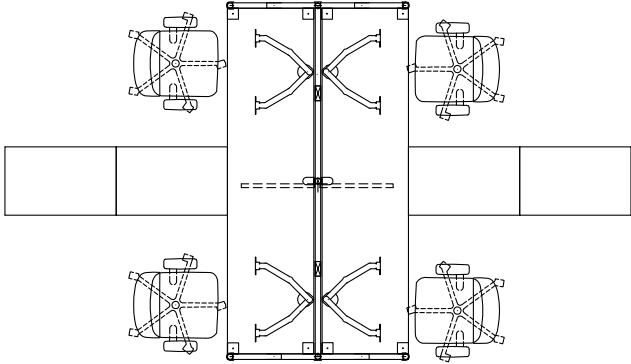




Footprint: 14' x 8'

Overview: Cushion Top Lateral Storage
Boost Monitor Arm
Icon



EQUITY

ITEM	PART DESCRIPTION	QTY	LIST	LINE TOTAL
1	Fabric Panel — Beveled Top – 48W x 29H EP3FA4829K	2	\$730.00	\$1,460.00
2	Open Frame Panel — Beveled Top – 24W x 29H EP3OF2429N	4	\$717.00	\$2,868.00
3	Post Assembly — Beveled Top – End – 29H EP3P29E	4	\$159.00	\$636.00
4	Post Assembly — Beveled Top – Straight – 29H EP3P29S	1	\$148.00	\$148.00
5	Post Assembly — Beveled Top – “T” – 29H EP3P29T	2	\$148.00	\$296.00
6	Worksurface — Straight – 96W x 24D – Scallop EW19624G2	2	\$685.00	\$1,370.00
7	Cantilever — Left Hand – 20D EB1C20L	1	\$90.00	\$90.00
8	Cantilever — Right Hand – 20D EB1C20R	1	\$90.00	\$90.00
9	Panel-to-Worksurface Bracket — Pair (L/R) EB1PWSP	4	\$29.00	\$116.00
			SUB-TOTAL	\$7,074.00

STORAGE

ITEM	PART DESCRIPTION	QTY	LIST	LINE TOTAL
10	Lateral — 30W – BF – J Pull SLAT130J	4	\$1,007.00	\$4,028.00
11	Lateral Common Top — 60W x 18D LT60	2	\$410.00	\$820.00
12	Lateral Cushion — 60W x 18D LC60	2	\$437.00	\$874.00
			SUB-TOTAL	\$5,722.00

ELECTRICAL

ITEM	PART DESCRIPTION	QTY	LIST	LINE TOTAL
11	Jumper — 8-wire – 41 ½L EE1C48-8	1	\$141.00	\$141.00
12	Duplex Receptacle — Circuit #1 EE1R1	2	\$50.00	\$100.00
13	Duplex Receptacle — Circuit #2 EE1R2	2	\$50.00	\$100.00
14	Terminal Block — 8-wire EE1TB-8	2	\$56.00	\$112.00
			SUB-TOTAL	\$453.00

WORKPLACE ACCESSORIES

ITEM	PART DESCRIPTION	QTY	LIST	LINE TOTAL
15	Boost Monitor Arm — Dual – Silver KCG-110DS	4	\$899.00	\$3,596.00
			SUB-TOTAL	\$3,596.00

SEATING

ITEM	PART DESCRIPTION	QTY	LIST	LINE TOTAL
16	Icon — Weight Sensitive Mech – 3D Arms ICON4633	4	\$787.00	\$3,148.00
			SUB-TOTAL	\$3,148.00

NOTE: This specification is for budgetary purposes only. Pricing shown is based on lowest grade finishes. Varying options and finishes will affect the pricing. Please consult an authorized Neutral Posture dealer to get actual pricing.

GRAND TOTAL **\$19,993.00**