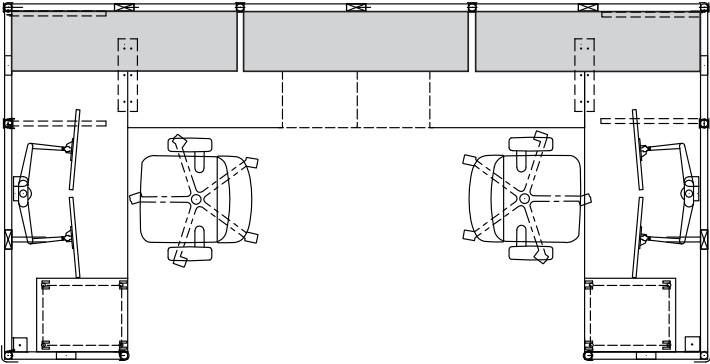




**Footprint:** 12' x 6'

- Overview:**
- Mobile Pedestal
  - Overhead Storage
  - Worksurface Supporting Pedestal
  - Boost Monitor Arm
  - Icon



### EQUITY

ITEM	PART DESCRIPTION	QTY	LIST	LINE TOTAL
1	<b>Fabric Panel</b> — Beveled Top – 24W x 49H EP3FA2449K	4	\$773.00	\$3,092.00
2	<b>Fabric Panel</b> — Beveled Top – 48W x 49H EP3FA4849K	2	\$1,038.00	\$2,076.00
3	<b>Fabric Panel</b> — Beveled Top – 48W x 66H EP3FA4866K	3	\$1,195.00	\$3,585.00
4	<b>Post Assembly</b> — Beveled Top – End – 49H EP3P49E	2	\$203.00	\$406.00
5	<b>Post Assembly</b> — Beveled Top – “L” – 49H EP3P49L	2	\$184.00	\$368.00
6	<b>Post Assembly</b> — Beveled Top – Straight – 49H EP3P49S	2	\$183.00	\$366.00
7	<b>Post Assembly</b> — Beveled Top – Straight – 66H EP3P66S	2	\$190.00	\$380.00
8	<b>Post</b> — Dual Height – 4/6H EP3DP4966	2	\$211.00	\$422.00
9	<b>Post Connector</b> — Beveled Top – End with Post EP3PCEP	2	\$44.00	\$88.00
10	<b>Post Connector</b> — Beveled Top – Multi-height Filler EP3PCMF	2	\$44.00	\$88.00
11	<b>Raceway Shroud</b> — “L” EP3SL	2	\$44.00	\$88.00
12	<b>Add-On Screen</b> — 24W x 15H EP3AOPG2415	4	\$856.00	\$3,424.00
13	<b>Add-On Screen</b> — 48W x 15H EP3AOPG4815	2	\$1,166.00	\$2,332.00
14	<b>Worksurface</b> — Straight – 72W x 24D – Scallop EW17224G2	2	\$775.00	\$1,550.00
15	<b>Worksurface</b> — Straight – 96W x 24D – Scallop EW19624G2	1	\$864.00	\$864.00
16	<b>Cantilever</b> — Left Hand – 20D EB1C20L	2	\$108.00	\$216.00
17	<b>Cantilever</b> — Right Hand – 20D EB1C20R	2	\$108.00	\$216.00
18	<b>Splice Plate</b> — 20” EB1F24	2	\$54.00	\$108.00
19	<b>Panel-to-Worksurface Bracket</b> — Pair (L/R) EB1PWSP	2	\$35.00	\$70.00
			<b>SUB-TOTAL</b>	<b>\$19,739.00</b>

### STORAGE

ITEM	PART DESCRIPTION	QTY	LIST	LINE TOTAL
20	<b>Overhead</b> — Flipper Door – 48W EC2OP48	3	\$967.00	\$2,901.00
21	<b>Pedestal</b> — Mobile – 21 7/8H x 18 7/8D – BF – J Pull SMPEDBF19J	2	\$728.00	\$1,456.00
22	<b>Pedestal Cushion</b> — 18 7/8D PC19	2	\$227.00	\$454.00
23	<b>Pedestal</b> — Worksurface Supporting – 27 3/4H x 21 7/8D – J Pull SWSPEDFF22J	2	\$728.00	\$1,456.00
24	<b>Tazetta Task Light</b> — Black 1/2 LTAZ36BLK	3	\$462.00	\$1,386.00
			<b>SUB-TOTAL</b>	<b>\$7,653.00</b>

### ELECTRICAL

ITEM	PART DESCRIPTION	QTY	LIST	LINE TOTAL
25	<b>Jumper</b> — 8-wire – 41 1/2L EE1C48-8	2	\$162.00	\$324.00
26	<b>Jumper</b> — 8-wire – 65 1/2L EE1C72-8	2	\$195.00	\$390.00
27	<b>Duplex Receptacle</b> — Circuit #1 EE1R1	3	\$57.00	\$171.00
28	<b>Duplex Receptacle</b> — Circuit #4 – Dedicated for 3+1, 2+2, 3+3 EE1R4D	2	\$57.00	\$114.00
29	<b>Terminal Block</b> — 8-wire EE1TB-8	5	\$64.00	\$320.00
			<b>SUB-TOTAL</b>	<b>\$1,319.00</b>

### WORKPLACE ACCESSORIES

ITEM	PART DESCRIPTION	QTY	LIST	LINE TOTAL
30	<b>Boost Monitor Arm</b> — Dual – Silver KCG-110DS	2	\$988.00	\$1,976.00
			<b>SUB-TOTAL</b>	<b>\$1,976.00</b>

### SEATING

ITEM	PART DESCRIPTION	QTY	LIST	LINE TOTAL
31	<b>Icon</b> — Weight Sensitive Mech – 3D Arms ICON4633	2	\$908.00	\$1,816.00
			<b>SUB-TOTAL</b>	<b>\$1,816.00</b>

**NOTE:** This specification is for budgetary purposes only. Pricing shown is based on lowest grade finishes. Varying options and finishes will affect the pricing. Please consult an authorized Neutral Posture dealer to get actual pricing.

**GRAND TOTAL** **\$32,503.00**